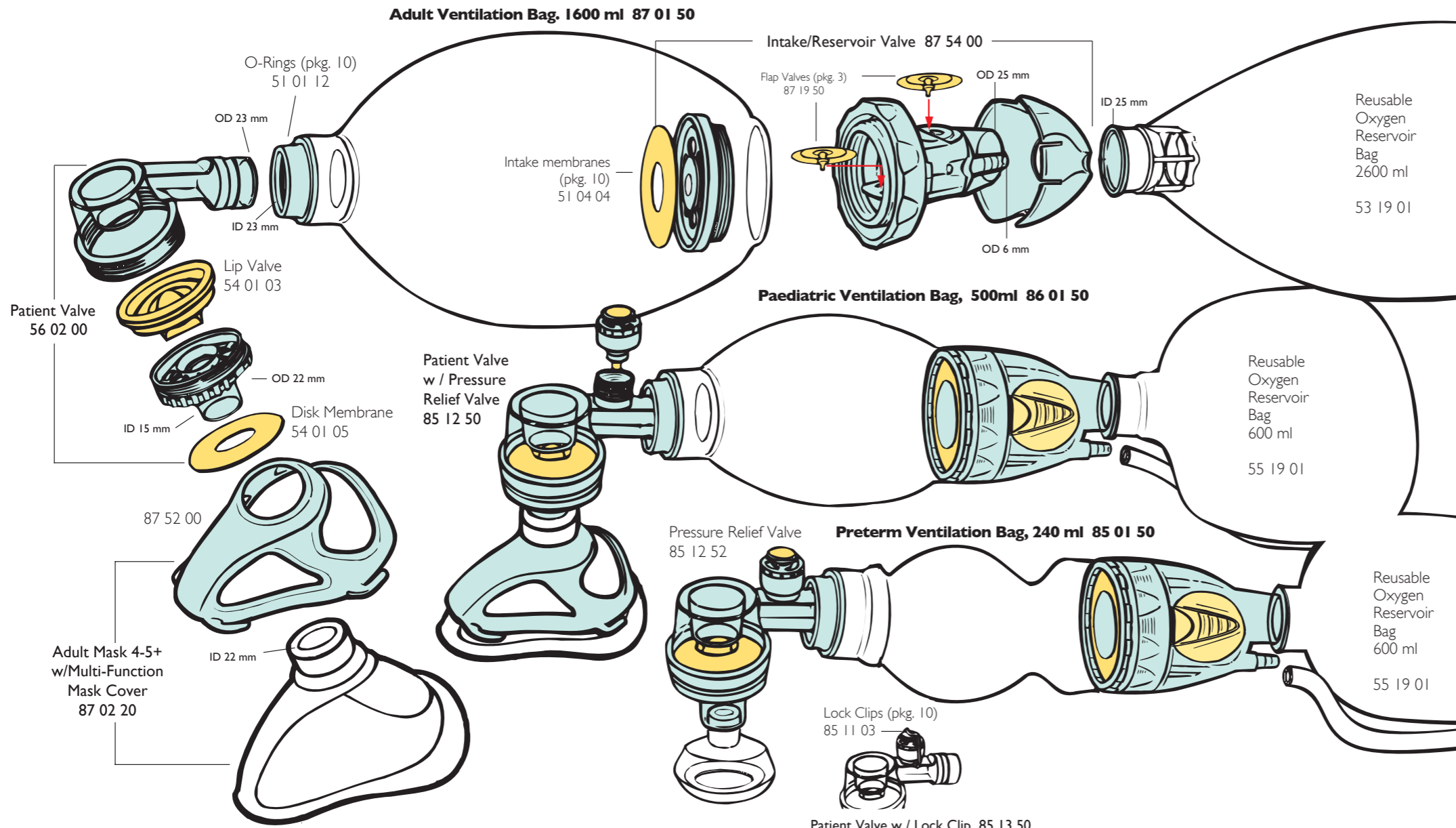


Laerdal Silicone Resuscitators



Function Testing

Test valve functions to ensure proper operation of the resuscitator after each disassembly-reassembly. An O₂ reservoir bag is needed to complete the test procedures described below:

1. Intake Valve

- Compress the ventilation bag with one hand and close its neck opening with your other hand. Release the grip on the bag. Rapid bag reexpansion confirms efficient air intake.
- Close the neck opening and try to compress the bag. If the bag cannot be compressed with reasonable force, or if bag compression forces the air out between your hand and neck of the bag, the valve efficiently prevents backward leakage of air.

2.1 Patient valve

- Assure that a (single) Lip Valve has been installed in the Patient Valve. Attach the Patient Valve to the bag. Hold a reservoir bag over the patient port connector pressing with your thumb on the reservoir bag connector. Ensure tight seal between the patient port and Reservoir Bag. Compress the bag with your other hand several times. Inspect that the lip valve opens during compression.

Filling of the Reservoir Bag in this set-up confirms that the Patient Valve efficiently directs air to the patient.

- With the filled Reservoir Bag held firmly to the valve connector, compress the Reservoir Bag while watching the external Disk Membrane.

Lifting of the Disk Membrane from its seat confirms that air is correctly directed to atmosphere instead of being returned to the ventilation bag.

2.2 Patient Valve with Pressure Relief Valve

Close patient port connector with your thumb while compressing the bag several times. Visual and audible opening of the relief valve confirms its operation.

3. Reservoir Flap Valves

(located in the Intake Valve assy.)

- Do as described and shown in 2.1a above in order to fill the Reservoir Bag with ambient air. Attach reservoir to the Intake Valve and press on Reservoir Bag. Compression of the Reservoir Bag and visual rise of the outlet Flap Valve confirms that the Reservoir Valve efficiently vents excessive gas to atmosphere.

- Do as described and shown in 2.1a above in order to fill a Reservoir Bag with ambient air. Attach reservoir to the Intake Valve. With the Patient Valve in place and the reservoir attached to the Intake Valve, perform several compression-release cycles on the ventilation bag until the Reservoir Bag is flat and empty. Rapid reexpansion of the ventilation bag after flattening of the Reservoir Bag confirms that the Reservoir Valve efficiently lets in ambient air.

